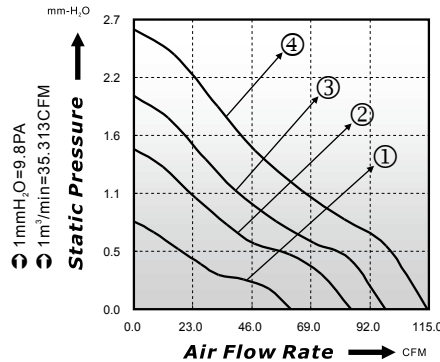


140x140x25mm

Model A

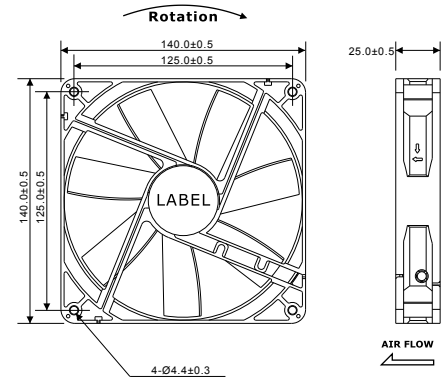


P-Q Curve (At Rated Voltage)



Dimensions Drawing

Unit: (mm)



| Model No | Bearing (*) | Rated Voltage (VDC) | Rated Current (A) | Power Consumption (Watts) | Speed (rpm) | Air Flow (CFM) | Static Pressure (mmH ₂ O) | Noise (dBA) | Curve |
|---------------|-------------|---------------------|-------------------|---------------------------|-------------|----------------|--------------------------------------|-------------|-------|
| ED14025-12LL* | ○ ● ⊖ | 12 | 0.20 | 2.40 | 900 | 61.26 | 0.82 | 22.70 | 1 |
| ED14025-12L* | ○ ● ⊖ | 12 | 0.30 | 3.60 | 1200 | 84.82 | 1.49 | 31.00 | 2 |
| ED14025-12M* | ○ ● ⊖ | 12 | 0.40 | 4.80 | 1500 | 98.70 | 1.99 | 36.30 | 3 |
| ED14025-12H* | ○ ● ⊖ | 12 | 0.50 | 6.00 | 1800 | 114.39 | 2.61 | 41.40 | 4 |
| ED14025-24LL* | ○ ● ⊖ | 24 | 0.10 | 2.40 | 900 | 61.26 | 0.82 | 22.70 | 1 |
| ED14025-24L* | ○ ● ⊖ | 24 | 0.20 | 4.80 | 1200 | 84.82 | 1.49 | 31.00 | 2 |
| ED14025-24M* | ○ ● ⊖ | 24 | 0.30 | 7.20 | 1500 | 98.07 | 1.99 | 36.30 | 3 |
| ED14025-24H* | ○ ● ⊖ | 24 | 0.40 | 9.60 | 1800 | 114.39 | 2.61 | 41.40 | 4 |

* Bearing Type: ○ Sleeve ● Two Ball ⊖ Hydro-Dynamic